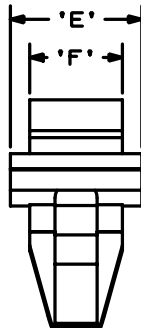
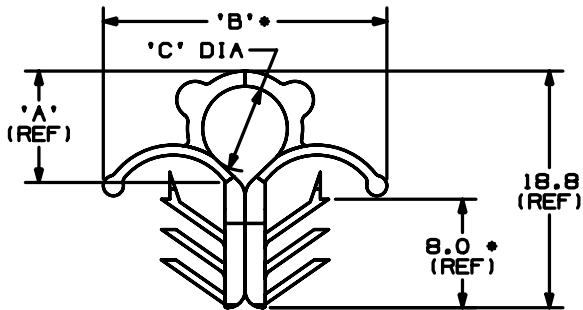
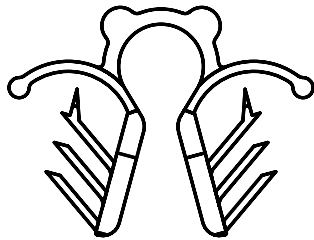


THIS COPY IS PROVIDED ON A RESTRICTED BASIS AND IS NOT TO BE USED IN ANY WAY DETRIMENTAL TO THE INTERESTS OF PANDUIT CORPORATION.

PANDUIT PART NO.	BUNDLE DIA MIN - MAX.	DIMENSIONS						MATERIAL	COLOR	WEIGHT grams 100 pcs
		'A'	'B'	'C'		'E'	'F'			
SICW06A10-...30	6.4	8.4	18	6.4		10	7	HEAT STABILIZED NYLON 6/6	BLACK	70



SCALE: FULL

NOTES:

1. SEE CURRENT PRICE SHEET FOR PART NUMBER SUFFIX DESIGNATION FOR PACKAGE SIZE, AND COLOR.
2. (*) DIMENSIONAL VARIANCE IS POSSIBLE DUE TO MOLDING PROCESS RELATED SINK MARKS.
3. APPLICATION SPECIFICATION:
HOLE DIAMETER: 8.3 - 10.5 mm
PANEL THICKNESS: 1.0 - 5.7 mm

CAD FILENAME/LAYERS		G01932BG_PB_SICW06A10_03	
PANDUIT CORP.		TINLEY PARK, ILLINOIS	
SNAP IN CLIP			
Unless otherwise specified, all dimensions are metric tolerance; ±0.5mm			
DRAWN BY	JAD	MAT'L:	SCALE 2X
DATE	5-7-98	SEE TABLE	DRAWING NO.
CHK'D			GB1932BG
			DWG SIZE A

REV	DATE	BY	CHK	DESCRIPTION	ECN	R	CUST	SUP
3	2/9/04	JAD		REMOVE APPLICATION SPEC VIEW	GB1932BG	3		